

**Modular Cooking Range Line  
EVO700 Closed Base  
Cupboard 1/4 Module**

ITEM # \_\_\_\_\_

MODEL # \_\_\_\_\_

NAME # \_\_\_\_\_

SIS # \_\_\_\_\_

AIA # \_\_\_\_\_



371210 (E7BANB00C0)

\* NOT TRANSLATED \*

**Main Features**

- Unit can be easily installed below other 700 line top models.
- Unit delivered with 50 mm height adjustable feet in Stainless steel.
- Doors with handles, drawers, heating kits and runners for GN containers can be ordered separately.
- Base compartment for storage of pots, pans, sheet pans, etc.

**Construction**

- Constructed in Stainless steel with Scotch Brite finish to meet the highest hygiene standards.

**Optional Accessories**

- 4 wheels, 2 swivelling with brake (EVO700/900). It is mandatory to install with base supports for feet/wheels. PNC 206135
- Flanged feet kit PNC 206136
- Frontal kicking strip for concrete installation, 200 mm PNC 206146
- Frontal kicking strip for concrete installation, 400 mm PNC 206147
- Frontal kicking strip for concrete installation, 800 mm PNC 206148
- Frontal kicking strip for concrete installation, 1000 mm PNC 206150
- Frontal kicking strip for concrete installation, 1200 mm PNC 206151
- Frontal kicking strip for concrete installation, 1600 mm PNC 206152
- Frontal kicking strip, 200 mm PNC 206174
- Frontal kicking strip, 400 mm PNC 206175
- Frontal kicking strip, 800 mm PNC 206176
- Frontal kicking strip, 1000 mm PNC 206177
- Frontal kicking strip, 1200 mm PNC 206178
- Frontal kicking strip, 1600 mm PNC 206179
- 4 feet for concrete installation (not for 900 line freestanding grill) PNC 206210
- 2 panels for service duct (single installation) PNC 206248
- Pair of side kicking strips PNC 206249
- Pair of side kicking strips (concrete installation) PNC 206265
- 2 side covering panels, height 700 mm, depth 700 mm PNC 206319
- Base support for feet or wheels - 800mm (EVO700/900) PNC 206367
- Base support for feet or wheels - 1200mm (EVO700/EVO900) PNC 206368
- Base support for feet or wheels - 1600mm (EVO700/900) PNC 206369
- Rear paneling - 600mm (EVO700/900) PNC 206373
- Rear paneling - 800mm (EVO700/900) PNC 206374

APPROVAL: \_\_\_\_\_



## Modular Cooking Range Line EVO700 Closed Base Cupboard 1/4 Module

- Rear paneling - 1000mm (EVO700/900) PNC 206375
- Rear paneling - 1200mm (EVO700/900) PNC 206376
- Base support for feet/wheels (600mm) PNC 206431

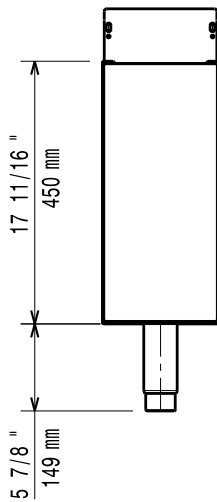


**Modular Cooking Range Line  
EVO700 Closed Base Cupboard 1/4 Module**

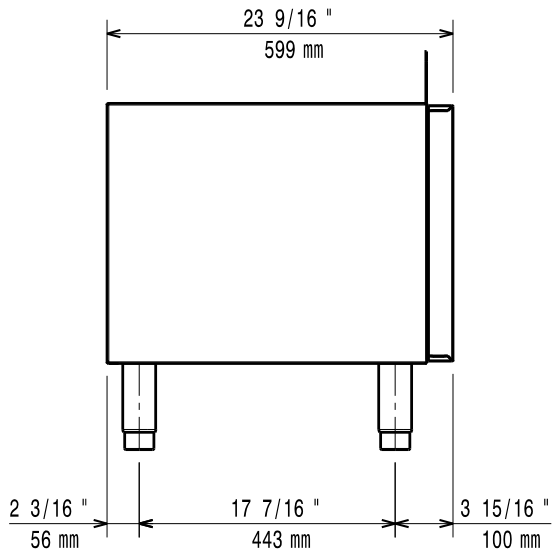
The company reserves the right to make modifications to the products without prior notice. All information correct at time of printing.

2026.04.21

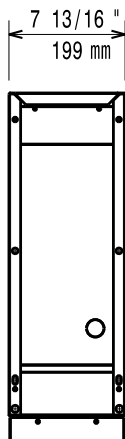
**Front**



**Side**



**Top**



**Key Information:**

External dimensions, Width: 371210 (E7BANB00C0)	200 mm
External dimensions, Depth:	550 mm
External dimensions, Height:	600 mm
Net weight:	15 lbs (7 kg)